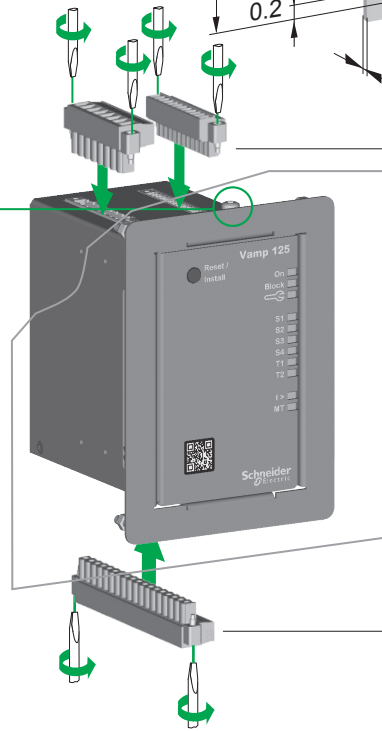
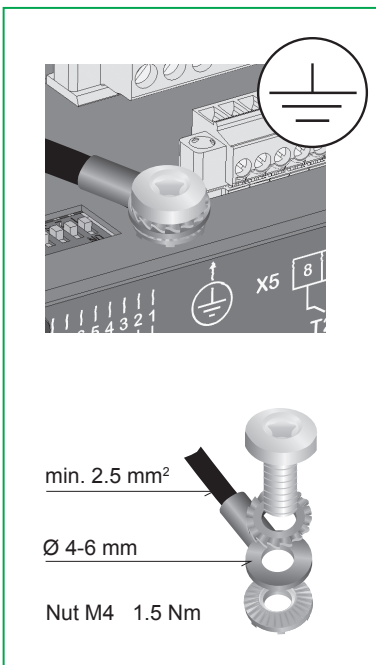
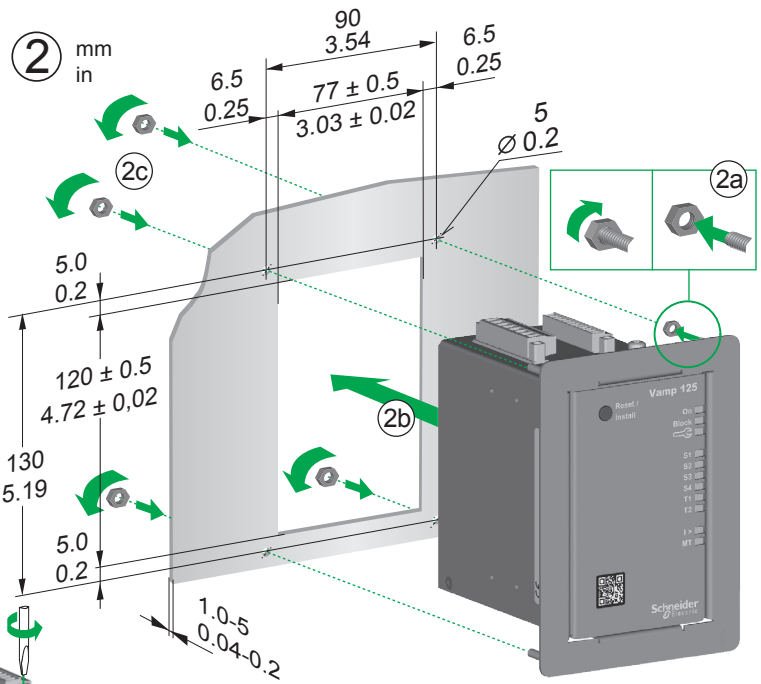
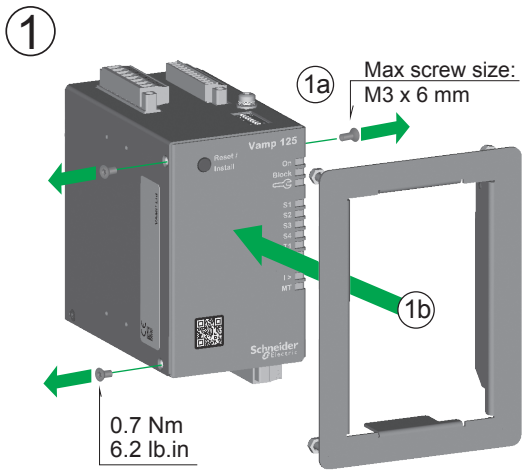
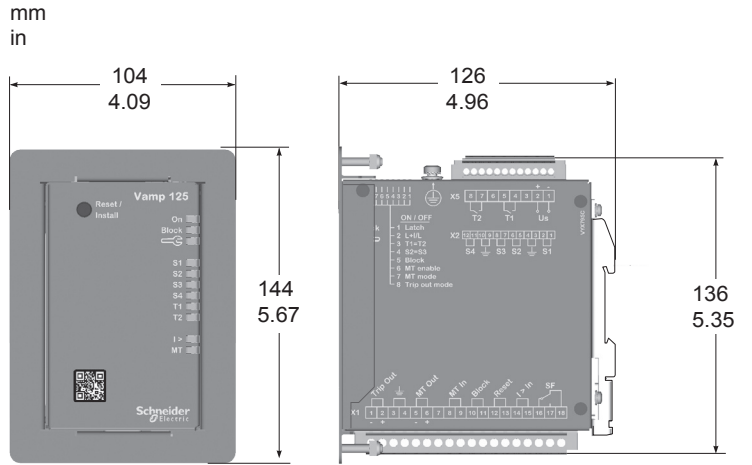
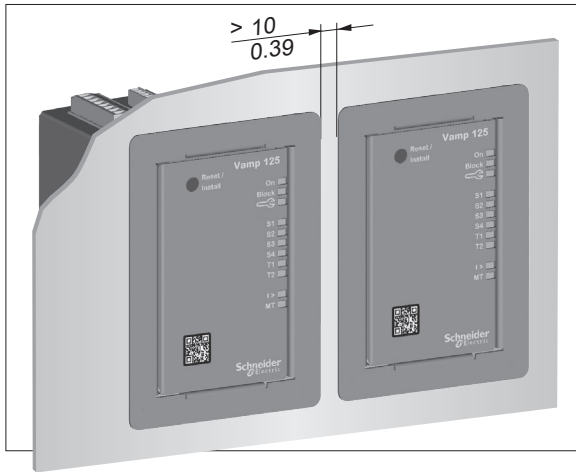


# VAMP 125 PANEL MOUNTING



	X2	X1, X5
Tightening torque, min	0.22 Nm	0.5 Nm
Tightening torque, max	0.25 Nm	0.6 Nm

